

**FLIPPY** *training tables*

scale 1:1



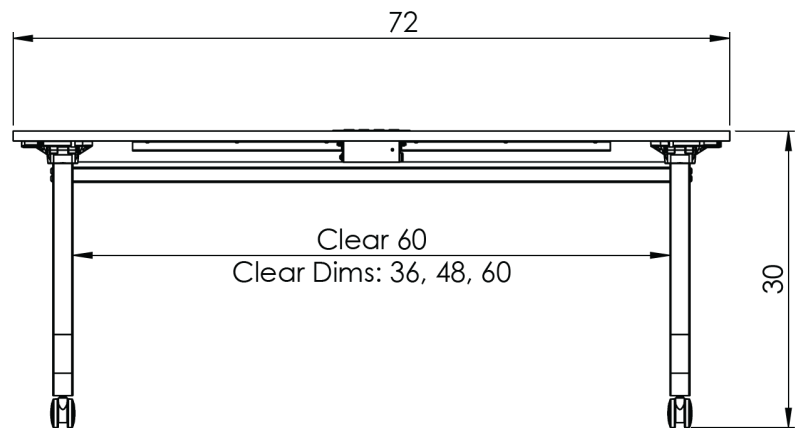
## Features

Portable Training tables where and when you need them. An intelligent, space-saving system, Flippy Tables nest and store, deploy and connect. Ideal for classrooms and conference spaces alike. Easily incorporate power to keep things charged and ready.

- Modern yet subtle design accommodates casual and professional environments alike.
- Durable laminate work surface with tough edge banding for long-lasting quality and protection against bumps and dents.
- Built to last steel legs and frame with white powdercoated finish and adjustable height levers.
- Offered in all Scale 1:1 standard and premium laminate finishes with standard 2MM PVC edgebanding.
- Scale 1:1 Training Table tops are pre-drilled to specifically be used with the Scale 1:1 Flip-Top Frames.
- Radius corners available at additional charge.
- Offered in five sizes and three lengths: 48", 60" and 72".
- Seated and counter heights available.
- Tables include four locking casters.
- (4x) Ganging brackets included per table frame.
- Designed by David Winston. Made in the USA.

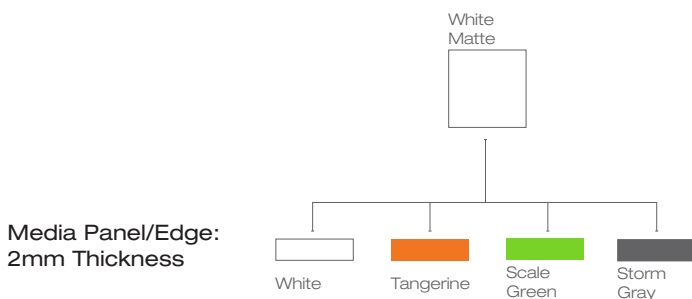
## Size Options

	48	60	72
18			
21			
24			
27			
30			



## Finish Options

### Table Top: Premium Thermofuse Laminate (TFL)



## Electrical Options

### Cable Grommet

Adjustable, White Plastic, Size: 3-1/8"



Two Power Outlets  
Two USB Charging Ports



Two Power Outlets  
Two USB Charging Ports



Power Output: 120V/12A,  
USB Ports: 5V/2A,  
6ft Standard Power Cord  
for sockets.



Additional power options offered. Please reference full [Tables price list](#) for details.

Visit us at [scale1to1.com](http://scale1to1.com) to view the entire collection.

