



Featured: White Table with Storm Gray Edge Banding.



Featured: Iconic Gray Table with White Edge Banding.

EYHOV Sport

scale^{1:1}

The **EYHOV Sport** Conference Table is the perfect combination of Work and Play. Work hard and when the time is right, let the games begin!

Build team morale and relax between meetings with a quick game of ping-pong! Sure, they look cool, but studies also show table tennis increases concentration and alertness, stimulates brain function and develops tactical thinking skills. Fun & functional!

Table Top:

Laminate with 2mm edge banding in optional colors.

Base & Legs:

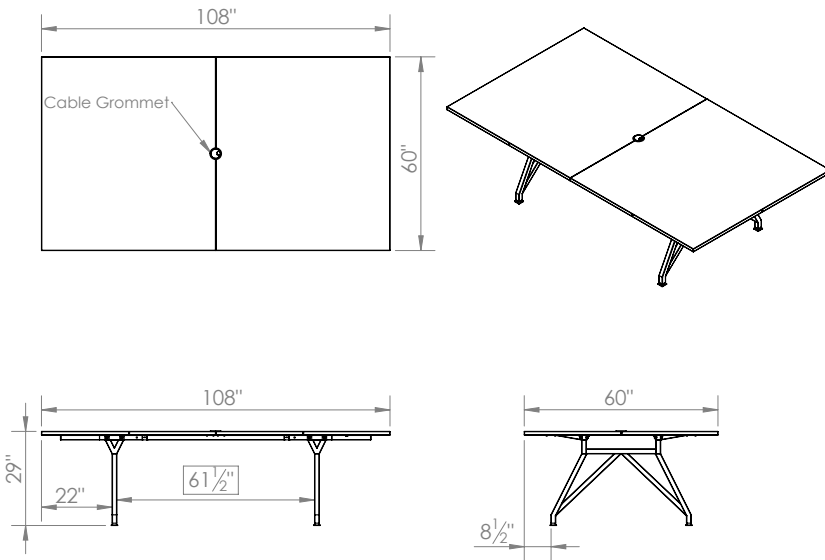
Built to last powder coated steel legs and frame, with adjustable height levelers.

Ping Pong Set:

Retractable ping-pong net, paddles, balls, and storage rack included.

Power Module:

Data and power options available. Ordered separately. See electrical power and data for details.



Included items:



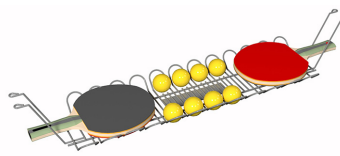
Cord Grommet
Adjustable, White,
Plastic, Size: 3-1/8"



Retractable Net



Ping Pong Set



Storage Rack

Power Option Sold Separately



Two Power Outlets
Two USB Charging Ports

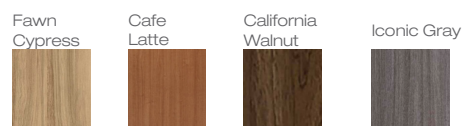


Power Output: 120V/12A,
USB Ports: 5V/2A,
6ft Standard Power Cord
for sockets.



table top finish & edge banding options

Laminate options: premium thermofuse laminate (TFL)



Edge Banding options:

